

AC-DC ITE Power Module

NEW

15 Watt

eMFC15 Series

ITE Medical Power Module

- ◆ Power Module for PCB Mountable
- ◆ Universal Input: 90-264 VAC, 47-440 Hz
- ◆ < 0.1W No Low Input Power
- ◆ Regulated Output and Low Ripple and Noise
- ◆ Small Size :2.07 X 10.6 X 0.93 inches
- ◆ Isolation Class II
- ◆ CE, CB, UL cUL Approvals
- ◆ 3-Year Warranty



NEW

20 Watt

eMFC20 Series

ITE Medical Power Module

- ◆ Power Module for PCB Mountable
- ◆ Universal Input: 90-264 VAC, 47-440 Hz
- ◆ Low Standby < 0.1W
- ◆ Regulated Output and Low Ripple and Noise
- ◆ Small Size :2.07 X 10.6 X 0.93 inches
- ◆ Optional with Screw Terminal
- ◆ Isolation Class II
- ◆ CE, CB, UL cUL Approvals
- ◆ 3-Year Warranty



Input Specifications	eMFC15	eMFC20
Voltage Range	90 ~ 264 VAC or 120~370 VDC	
Frequency	47~440 Hz	
Output Specifications	eMFC15	eMFC20
Output Power	15 Watt (max.)	15 Watt (max.)
Voltage Accuracy	±2% (Full Load and Nominal Vin)	
Line Regulation	±0.5% (LL to HL at Full Load) (typ.)	
Load Regulation	±1% (10% to 100% at Full Load) (typ.)	
Ripple & Noise (20MHz bandwidth)	5S,9S: 700mV others: 1% Vout	12S: 150mV 24S: 150mV
Temperature Coefficient	±0.05% °C (max.)	
Short Circuit Protection	Hiccup mode, indefinite (Automatic recovery)	
General Specifications	eMFC15	eMFC20
Efficiency (see table list)	80% to 85%	(typ.)
Isolation Voltage	4000 VAC or 5656VDC	(min.)
Isolation Resistance	10 ⁹ Ω (Input to Output)	(min.)
Operating Temperature	-40°C to +80°C (with Derating)	
Storage Temperature	-40°C to +90°C	
Altitude During Operation	5000m	
Atmospheric Pressure	70 kPa to 106 kPa	
Humidity	upto 95% RH (max.)	
Cooling	Free-air Convection	
Physical Specifications	eMFC15	eMFC20
Dimension (Tolerance ±0.5 mm)	52.5 x 27.5 x 23.5 mm 2.07 x 1.08 x 0.93 inches	
Weight	60g	52g
Case Material	Plastic resin (flammability to UL 94V-0)	

- Pin # Single
- ① AC IN (N)
 - ② AC IN (L)
 - ③ - DC OUT
 - ④ +DC OUT

Models

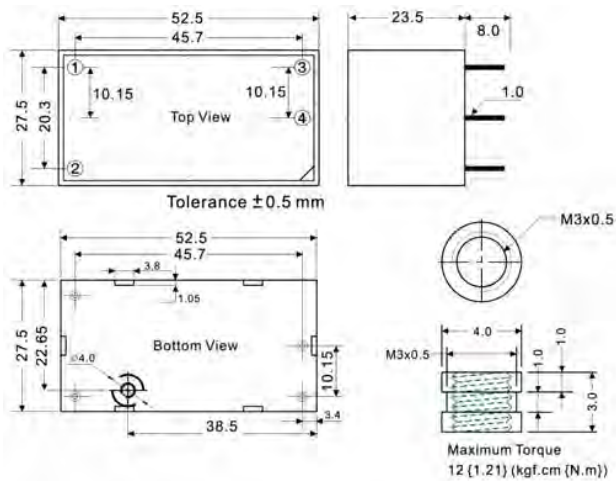
►► eMFC15 Single Output

Model & Ordering No	Input Voltage (V.AC)	Output Voltage (V.DC)	Output Current (mA) max.	Eff (%)
eMFC15-5S	90~264	5	3000	79
eMFC15-9S	90~264	9	1666	80
eMFC15-12S	90~264	12	1250	84
eMFC15-15S	90~264	15	1000	84
eMFC15-24S	90~264	24	625	85

►► eMFC20 Single Output

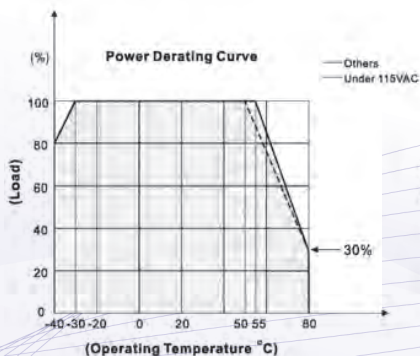
Model & Ordering No	Input Voltage (V.AC)	Output Voltage (V.DC)	Output Current (mA) max.	Eff (%)
eMFC20-12S	90~264	12	1666	83
eMFC20-24S	90~264	24	833	82

Outline Dimensions & Pin Connections

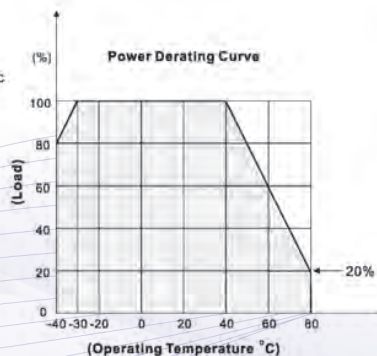


Derating

eMFC15 Series



eMFC20 Series



eMFC15 / eMFC20 Series

