

# YSD100L SERIES 100W



eUrasia Power's slimline power family are designed with slim plastic housing and for full range AC input from 90V AC TO 264V AC. The series are single phase PSU, providing DC OK relay contact and adjustable DC output voltage. They have high efficiency and operate in wide temperature range. The series can widely used for industrial automation & control systems, varied equipments etc.



## Features

- AC** Universal AC Input/ Full Range
- DC** DC OK Signal Output
- DC** DC Output Voltage Adjustable
- DC** Protection: Short Circuit/Overload/ Over Voltage/Over Temperature
- DIN** Installation on DIN Rail TS-35/7.5 & 15
- OFF** No Load Power Consumption < 0.75W
- Shield** Built-in Active PFC and Over Temp. Protection
- 3** Three Years Warranty

## Model Information

Yingjiao Part number	DC VOLTAGE	RATED CURRENT	RATED POWER
YSD100L-1207500	12V	7.5A	90W
YSD100L-2404000	24V	4A	96W
YSD100L-4802000	48V	2A	96W

## Input

VOLTAGE RANGE	85-264VAC/120-370VDC	
FREQUENCY RANGE	50/60Hz	
INRUSH CURRENT	30A/115VAC 60A/230VAC	
AC CURRENT	1.3A/115VAC 0.8A/230VAC	
LEAKAGE CURRENT	<0.25mA/240VAC	
EFFICIENCY	83%	YSD100L-1207500
	86%	YSD100L-2404000
	87%	YSD100L-4802000

## Output

RIPPLE & NOISE	120mVp-p	YSD100L-1207500
	150mVp-p	YSD100L-2404000
	200mVp-p	YSD100L-4802000
VOLTAGE TOLERANCE	± 5.0%	
LINE REGULATION	± 1.0%	
LOAD REGULATION	± 1.0%	
SETUP, RISE TIME	500ms, 30ms/230VAC at full load 500ms, 30ms/115VAC at full load	

## Protection

---

<b>OVER LOAD</b>	>105%-150% Rated Output Power Protection type: Hiccup Mode- recovers automatically after fault condition is removed
<b>OVER VOLTAGE</b>	12V:15.6 ~ 18V 24V:31.2 ~ 36V 48V:57.6 ~64.8V Protection type : Shut down o/p voltage, re-power on to recover
<b>OVER TEMPERATURE</b>	Shut down o/p voltage, re-power on to recover
<b>OVER CURRENT</b>	110%-180%

---

## Environment

---

<b>OPERATING TEMPERATURE</b>	-20 °C to 60 °C , Full Load, Normal Operation
<b>STORAGE TEMP</b>	-40 °C to 85 °C
<b>STORAGE HUMIDITY</b>	10 ~ 95% RH
<b>WORKING HUMIDITY</b>	20% ~ 95% RH Non-Condensing
<b>MTBF</b>	200,000 Hours Minimum at Full Load at 25 °C Ambient

---

## SAFETY & EMC

---

<b>SAFETY REGULATIONS</b>	UL508, TUV BS EN/EN62368-1, EAC TP TC 004, BSMI CNS14336-1, AS/NZS 62368.1 approved
<b>WITHSTAND VOLTAGE</b>	I/P-O/P:3KVAC I/P-FG:2KVAC O/P-FG:0.5KVAC
<b>ISOLATION RESISTANCE</b>	I/P-O/P, I/P-FG, O/P-FG:100M Ohms / 500VDC / 25 °C / 70% RH
<b>EMC EMISSION</b>	Compliance to BS EN/EN55032 (CISPR32), BS EN/EN61204-3 Class B, BS EN/EN61000- 3-2,-3, EAC TP TC 020, CNS13438 Class B

---

## Dimensions & Weight

---

Length:	55mm / 2.17in
Width:	100mm / 3.94in
Height:	92mm / 3.62in
Weight:	400g

---

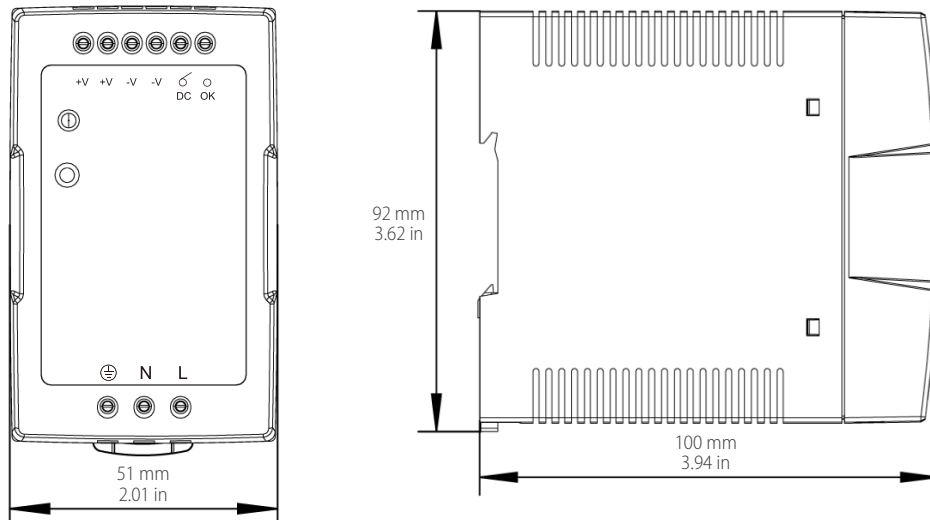
## Packing

---

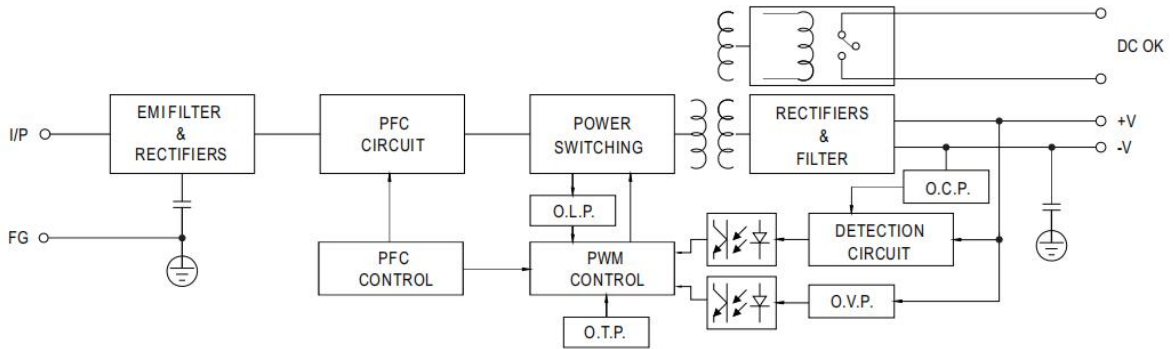
Carton Size:	42.5 x 32 x 24 CM 21.26 x 16.73 x 9.45 in
Master Carton Quantities:	40pcs / Carton

---

## Dimensions and Installation



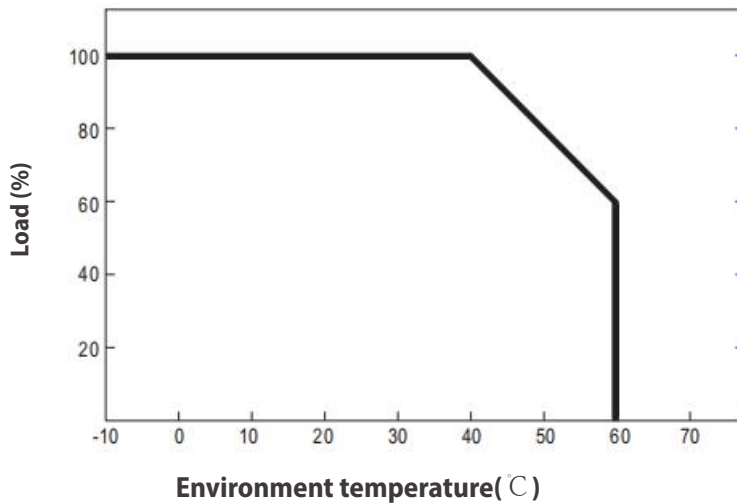
## Functional Diagram



## Application of DC OK Active Signal

Contact Close	PSU turns on / DC OK.
Contact Open	PSU turns off / DC Fail.
Contact Ratings (max.)	30V/1A resistive load.

## Deduction curve and temperature



# Minus output and input voltage curves

---

