

# YSD60L SERIES 60W



eUrasia Power's slimline power family are designed with slim plastic housing and for full range AC input from 90V AC TO 264V AC. The series are single phase PSU, providing DC OK relay contact and adjustable DC output voltage. They have high efficiency and operate in wide temperature range. The series can widely used for industrial automation & control systems, varied equipments etc.

cUL<sub>us</sub> CE UK RoHS

## Features

- AC** Universal AC Input/ Full Range
- DC** DC OK Signal Output
- DC** DC Output Voltage Adjustable
- Protection:** Short Circuit/Overload/ Over Voltage/Over Temperature
- DIN** Installation on DIN Rail TS-35/7.5 & 15
- 3** Three Years Warranty

## Model Information

Yingjiao Part number	DC VOLTAGE	RATED CURRENT	RATED POWER
YSD60L-0501000	5V	10A	50W
YSD60L-1205000	12V	5A	60W
YSD60L-2402500	24V	2.5A	60W
YSD60L-4801250	48V	1.25A	60W

## Input

VOLTAGE RANGE	85-264VAC/120-370VDC	
FREQUENCY RANGE	50/60Hz	
INRUSH CURRENT	30A/115VAC 60A/230VAC	
AC CURRENT	1.8A/115VAC 1A/230VAC	
LEAKAGE CURRENT	<0.25mA/240VAC	
EFFICIENCY	78%	YSD60L-0501000
	86%	YSD60L-1205000
	88%	YSD60L-2402500
	78%	YSD60L-4801250

## Output

RIPPLE & NOISE	80mVp-p	YSD60L-0501000
	120mVp-p	YSD60L-1205000
	150mVp-p	YSD60L-2402500
	200mVp-p	YSD60L-4801250
VOLTAGE TOLERANCE	± 2.0%	
LINE REGULATION	± 2.0%	
LOAD REGULATION	± 5.0%	
SETUP, RISE TIME	500ms, 30ms/230VAC at full load 500ms, 30ms/115VAC at full load	

## Protection

---

<b>OVER LOAD</b>	>105%-150% Rated Output Power Protection type: Hiccup Mode- recovers automatically after fault condition is removed
<b>OVER VOLTAGE</b>	5V:6.25~ 7.25V 12V:15.6 ~ 18V 24V:31.2 ~ 36V 48V:57.6 ~64.8V Protection type : Shut down o/p voltage, re-power on to recover
<b>OVER TEMPERATURE</b>	Shut down o/p voltage, re-power on to recover
<b>OVER CURRENT</b>	110%-180%

---

## Environment

---

<b>OPERATING TEMPERATURE</b>	-20 °C to 60 °C , Full Load, Normal Operation
<b>STORAGE TEMP</b>	-40 °C to 85 °C
<b>STORAGE HUMIDITY</b>	10 ~ 95% RH
<b>WORKING HUMIDITY</b>	20% ~ 95% RH Non-Condensing
<b>MTBF</b>	200,000 Hours Minimum at Full Load at 25 °C Ambient

---

## SAFETY & EMC

---

<b>SAFETY REGULATIONS</b>	UL508, BS/EN62368-1 approved
<b>WITHSTAND VOLTAGE</b>	I/P-O/P:3KVAC I/P-FG:2KVAC O/P-FG:0.5KVAC
<b>ISOLATION RESISTANCE</b>	I/P-O/P, I/P-FG, O/P-FG:100M Ohms / 500VDC / 25 °C / 70% RH
<b>EMC EMISSION</b>	Compliance to BS EN/EN55032 (CISPR32), BS EN/EN61204-3 Class B, BS EN/EN61000- 3-2,-3, EAC TP TC 020, CNS13438 Class B

---

## Dimensions & Weight

---

Length:	41mm / 1.61in
Width:	100mm / 3.94in
Height:	92mm / 3.62in
Weight:	280g

---

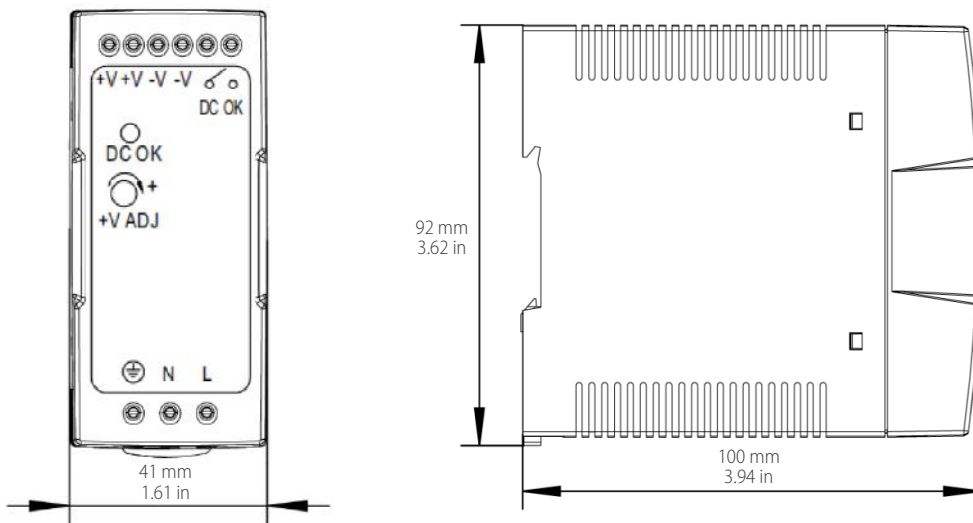
## Packing

---

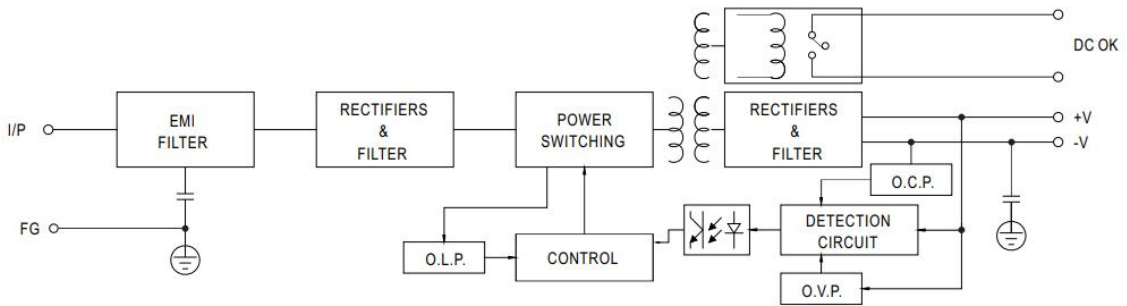
Carton Size:	54 x 24.5 x 24 CM 21.26 x 9.65 x 9.45 in
Master Carton Quantities:	50pcs / Carton

---

## Dimensions and Installation



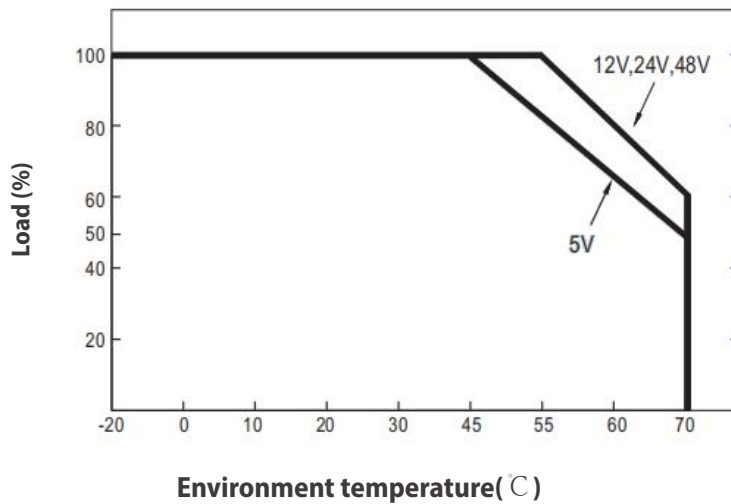
## Functional Diagram



## Application of DC OK Active Signal

Contact Close	PSU turns on / DC OK.
Contact Open	PSU turns off / DC Fail.
Contact Ratings (max.)	30V/1A resistive load.

## Deduction curve and temperature



# Minus output and input voltage curves

---

