

10 Watt

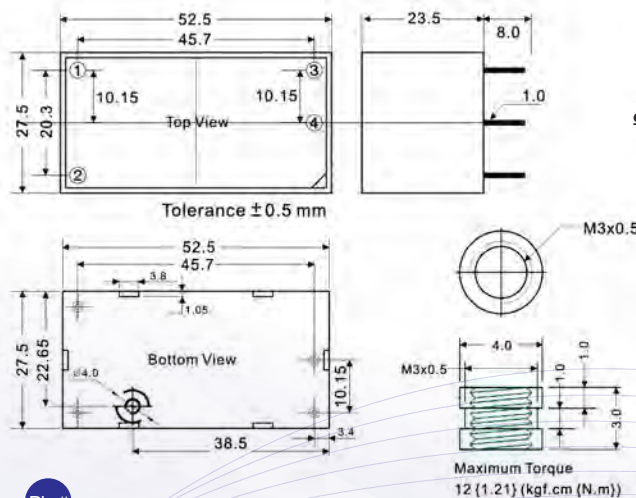
eAFC20 Series

- ◆ Spower Module for PCB Mountable
- ◆ Universal Input: 90-305 VAC, 47-440 Hz
- ◆ Low Standby< 0.3W
- ◆ Regulated Output and Low Ripple and Noise
- ◆ Small Size as AHC 5Watt with 8Watt Higher Power
- ◆ Isolation Class II
- ◆ CE, UL Approvals
- ◆ 3-Year Warranty



Input Specifications	eAFC20	eAFC20N
Voltage Range	90 ~ 264 VAC or 120~370 VDC	
Frequency	47~440Hz	
Output Specifications	eAFC20	eAFC20N
Output Power	20 Watt (max.)	
Voltage Accuracy	±2% (Full Load and Nominal Vir)	
Minimum Load	0% (at Full Load)	
Line Regulation	±0.5% (LLto HLat Full Load) (typ.)	
Load Regulation	±0.1% (5% to 100% at Full Load) (typ.)	
Ripple (20MHz bandwidth)	3.3S,5S: 75mV (Vp-p) (max.)	others: 1% Vout (Vp-p) (max.)
Noise (20MHz bandwidth)	3.3S,5S: 75mV (Vp-p) (max.)	others: 1% Vout (Vp-p) (max.)
Temperature Coefficient	±2% / °C (max.)	±2% / °C (max.)
Short Circuit Protection	Hiccup mode, indefinite (Automatic recovery)	
General Specifications	eAFC20	eAFC20N
Efficiency (see table list)	77% to 80% (typ.)	73% to 83% (typ.)
Isolation Voltage	3000 VAC (min.)	
Isolation Resistance	10 ⁸ Ω (Input to Output) (min.)	
Operating Temperature	-40°C to +70°C (With Derating)	
Storage Temperature	-40°C to +85°C	
Humidity	95% RH (max.)	
Cooling	Free-air Convection	
Physical Specifications	eAFC20	eAFC20N
Dimension (Tolerance ±0.5 mm)	52.5 x 27.5 x 23.5 mm	
	2.07 x 1.08 x 0.93 inches	
Weight	59g	62g
Case Material	Plastic resin (flammability to UL 94V-0)	

Outline Dimensions & Pin Connections



- Pin #
- 1 Single
 - 2 AC IN (N)
 - 3 AC IN (L)
 - 4 -DC OUT
 - 4 +DC OUT

10 Watt

eAFC20N Series

- ◆ Power Module for PCB Mountable
- ◆ Universal Input: 90-264 VAC, 47-440 Hz
- ◆ Regulated Output and Ripple and Noise
- ◆ Low Standby<0.25W
- ◆ Small Size: 2.0 x 1.08 x 0.93 inches
- ◆ Isolation Class II
- ◆ CE,UL Approvals
- ◆ 3-Year Warranty



Model

eAFC20 Single Output

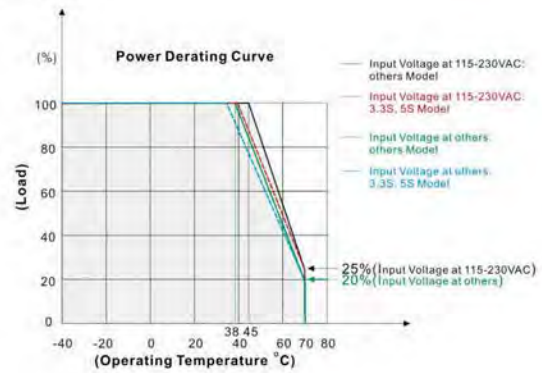
Model & Ordering No	Input Voltage (V.AC)	Output Voltage (V.DC)	Output Current (m.A) max.	Eff (%)
eAFC20- 3.3S	90~264	3.3	2500	74
eAFC20- 5S	90~264	5	2000	78
eAFC20- 12S	90~264	12	833	82
eAFC20- 15S	90~264	15	667	83
eAFC20- 24S	90~264	24	417	83

eAFC20N Single Output

Model & Ordering No	Input Voltage (V.AC)	Output Voltage (V.DC)	Output Current (m.A) max.	Eff (%)
eAFC20N- 3.3S	90~264	3.3	2500	74
eAFC20N- 5S	90~264	5	2000	79
eAFC20N- 12S	90~264	12	833	82
eAFC20N- 15S	90~264	15	667	78
eAFC20N- 24S	90~264	24	417	80

Derating

eAFC20 Series



eAFC20N Series

