

10 Watt

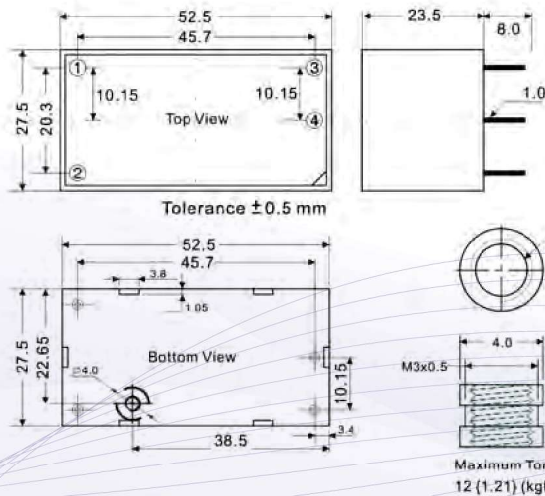
eAFC Series

- ◆ Power Module for PCB Mountable
- ◆ Universal Input: 90-305 VAC, 47-440 Hz
- ◆ Regulated Output and Low Ripple and Noise
- ◆ -40 °C Starting Optional (AFC-E1)
- ◆ Small Size :2.07 X 10.6 X 0.93 inches
- ◆ Isolation Class II
- ◆ Single and Dual Output
- ◆ CE, UL Approvals
- ◆ 3-Year Warranty



Input Specifications	eAFC	eAFCN
Voltage Range	90 ~ 264 VAC or 120~370 VDC	
Frequency	47~440Hz	
Output Specifications	eAFC	eAFCN
Output Power	10 Watt (max.)	10 Watt (max.)
Voltage Accuracy	±2% (Full Load and Nominal Virl)	
Minimum Load	0% (at Full Load)	
Line Regulation	±0.3% (typ.)	±0.5% (typ.)
(LLto HLat Full Load)		
Load Regulation	±0.5% (typ.)	±1% (typ.)
(5% to 100% at Full Load)		
Ripple	<0.2% Vout+40mV (20MHz bandwidth)	3.3S: 75mVp-p (max.) others: 1% Vout (max.)
Noise	<0.5% Vout +50mV (20MHz bandwidth)	3.3S,5S:120mVp-p(max.) others: 1% Vout (max.)
Temperature Coefficient	±0.02% °C (max.)	±0.05% °C (max.)
Short Circuit Protection	Hiccup mode, indefinite (Automatic recovery)	
General Specifications	eAFC	eAFCN
Efficiency (see table list)	77% to 80% (typ.)	
Isolation Voltage	3000 VAC (min.)	
Isolation Resistance	10 ⁸ Ω (Input to Output)	
Operating Temperature	-40°C to +70°C (AFC) -40°C to +70°C(AFCE1)	40°C to +70°C (With Derating)
Storage Temperature	-40°C to +85°C	
Humidity	95% RH (max.)	
Cooling	Free-air Convection	
Physical Specifications	eAFC	eAFCN
Dimension (Tolerance ±0.5 mm)	24.4 x 24.4 x 18.5 mm 2.07 x 1.08 x 0.93 inches	
Weight	51g	58g
Case Material	Plastic resin (flammability to UL 94V-0)	

Outline Dimensions & Pin Connections



10 Watt

eAFCN Series

- ◆ Power Module for PCB Mountable
- ◆ Universal Input: 90-264 VAC, 47-440 Hz
- ◆ Regulated Output and Ripple and Noise
- ◆ Low Standby<0.25W
- ◆ Small Size: 2.0 x 1.08 x 0.93 inches
- ◆ Isolation Class II
- ◆ CE, UL Approvals
- ◆ 3-Year Warranty



Model

eAFC Single Output

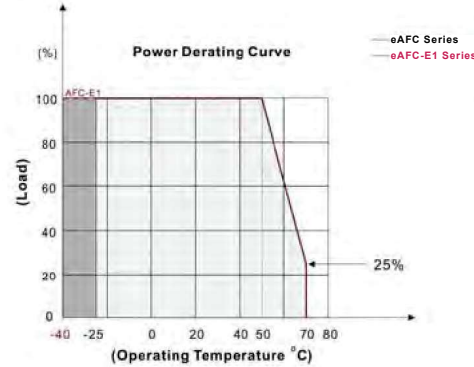
Model & Ordering No	Input Voltage (V.AC)	Output Voltage (V.DC)	Output Current (m.A) max.	Eff (%)
eAFC- 3.3S	90~264	3.3	2500	74
eAFC- 5S	90~264	5	2000	79
eAFC- 12S	90~264	12	833	82
eAFC- 15S	90~264	15	667	80
eAFC- 24S	90~264	24	417	78

eAFCN Single Output

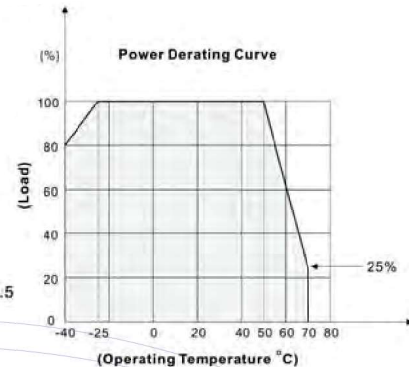
Model & Ordering No	Input Voltage (V.AC)	Output Voltage (V.DC)	Output Current (m.A) max.	Eff (%)
eAFCN- 3.3S	90~264	3.3	2500	74
eAFCN- 5S	90~264	5	2000	79
eAFCN- 12S	90~264	12	833	82
eAFCN- 15S	90~264	15	667	78
eAFCN- 24S	90~264	24	417	80

Derating

eAFC Series



eAFCN Series



Pin #	eAFC	eAFCN
①	AC IN (N)	AC IN (N)
②	AC IN (L)	AC IN (L)
③	- DC OUT	- DC OUT
④	+DC OUT	+DC OUT