

## 75W Quarter Brick Type 14:1 High Input Voltage Isolated DC - DC Converters



### FEATURES

- ◆ Fully Protected (OTP/OCP/OVP/UVLO)/5000m Operating Altitude
- ◆ 3000Vac I/O Isolation / Regulated Outputs
- ◆ Low No Load Consumption
- ◆ Shock & Vibration EN50155 (EN61373) Compliant
- ◆ Fire & Smoke EN45545-2 Compliant
- ◆ EN50155 Compliant With External Circuit

### SPECIFICATIONS

Input Voltage Range.....72V(Range12-160V)  
 Undervoltage lockout..... Turn-on: 10.7~11.7VDC  
 Turn-off: 9.7~10.7VDC  
 Lockout Hysteresis: 1.0VDC

Remote On/Off Logic.....See note  
 Input Filter.....Pi Type  
 Voltage Accuracy.....±1% max  
 Output Voltage Trim Range (others).....-20~+15%  
 Output Voltage Trim Range (54V) .....-20~+10%  
 Temperature Coefficient.....± 0.02%/°C max.  
 Short Circuit Protection.....Continuous, Auto Recovery  
 Line Regulation (High line to Low line).....± 0.2% max  
 Load Regulation (Full load to No Load).....± 0.2% max  
 Over Voltage Protection (others).....117~140%  
 Over Voltage Protection (54V).....112~140%  
 OCP(Hiccup mode, Auto Recovery).....110%~180%  
 Isolation Voltage.....Input to Output.....3000Vac  
 Input to Case(Base Plate) .....2100Vac  
 Output to Case(Base Plate).....1500Vac

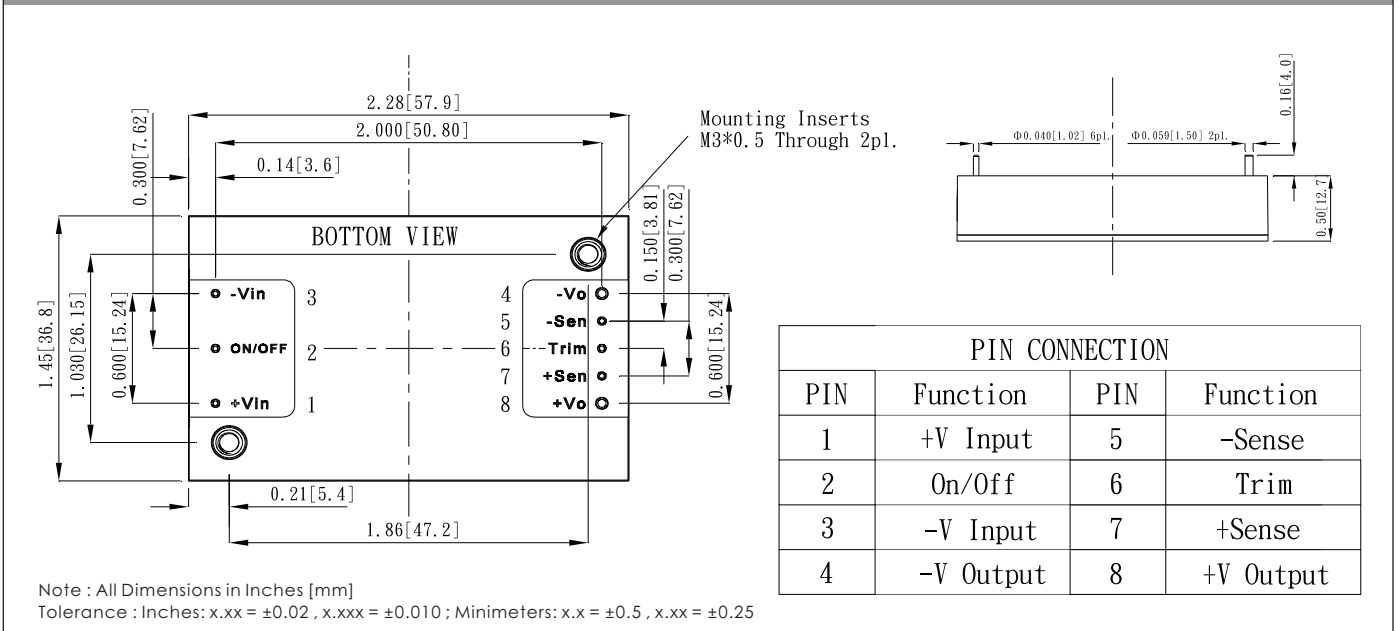
Isolation Resistance.....100M Ω min  
 Operating Case Temperature.....-40°C to +105°C  
 Storage Temperature Range.....-55°C to +125°C  
 Case Material.....Aluminum Baseplate w/plastic Case  
 Weight.....66g

Model Number	Input Voltage (VDC)	Output Voltage (VDC)	Output Current (A)	No Load Input Current	EFF. Typ. %	Capacitor Load Max.
eDUQB075-91-X	12-160	5	15.0	20mA	89	15000µF
eDUQB075-92-X	12-160	12	6.30	20mA	88	6300µF
eDUQB075-93-X	12-160	15	5.00	20mA	89.5	5000µF
eDUQB075-99-X	12-160	24	3.12	15mA	89.5	3120µF
eDUQB075-99C-X	12-160	28	2.70	15mA	91	2700µF
eDUQB075-99D-X	12-160	54	1.40	20mA	91	750µF
eDUQB075-91N-X	12-160	5	15.0	20mA	89	15000µF
eDUQB075-92N-X	12-160	12	6.30	20mA	88	6300µF
eDUQB075-93N-X	12-160	15	5.00	20mA	89.5	5000µF
eDUQB075-99N-X	12-160	24	3.12	15mA	89.5	3120µF
eDUQB075-99CN-X	12-160	28	2.70	15mA	91	2700µF
eDUQB075-99DN-X	12-160	54	1.40	20mA	91	750µF

Note

1. Nominal Input Voltage 72 VDC
2. An External Input Capacitor 220uF for All Models are Recommended to Reduce Input Ripple Voltage
3. Remote ON/OFF Logic Compatibility..... Open collector Refer To -V Pin  
 Suffix = Blank, Positive Remote Logic.  
 Logic Low (Module OFF)..... 0 to < 1.2V  
 Logic High (Module ON)..... 3.5 or open circuit to <160V  
 Suffix = N, Negative Remote Logic.  
 Logic High (Module OFF)..... 3.5 or open circuit to <160V  
 Logic Low (Module ON)..... 0 to < 1.2V  
 Suffix "-X" = -C, clear mounting insert (3.2mmDIA.)  
 Suffix "-X" = -B, with Bus & External UVLO function  
 Suffix "-X" = -C-B, clear mounting insert (3.2mmDIA.) and with Bus & External UVLO function

### MECHANICAL DRAWING (Unit: inch(mm))



PIN CONNECTION			
PIN	Function	PIN	Function
1	+V Input	5	-Sense
2	On/Off	6	Trim
3	-V Input	7	+Sense
4	-V Output	8	+V Output